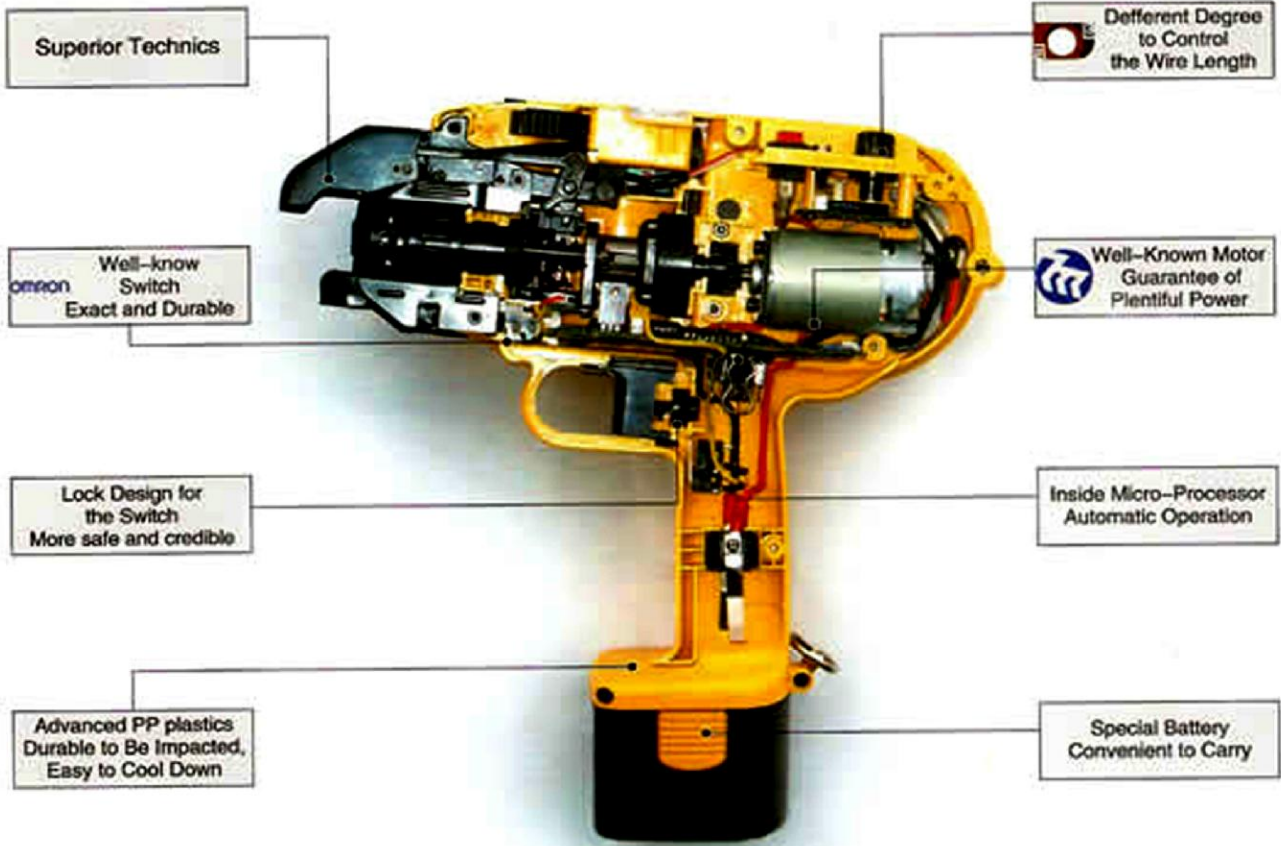
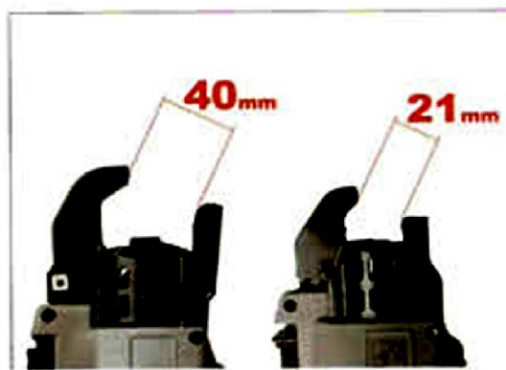


REBAR TYING TOOL KP-230/KP-400A



Rebar Tying Tool

Rebar tying tool, a hand-held electrical tool, can tie rebar quickly and automatically. Powered by the rechargeable battery it can be used alternately and continuously. Tying can be completed by putting the jaw on the crossed-rebars and pulling the trigger only. It saves labor and highly improves working efficiency. It is easy and simple to operate, convenient and light to carry. It is widely used in European countries and the United States. And welcomed by the construction owners.



The Major Data Of The Product

MODEL	230	400A
EXTERIOR SIZE(mm)	277 x 100 x 270	277 x 100 x 290
WEIGHT(kg)	2.1kg	2.1kg
MOTOR VOLTAGE(v)	9.6	9.6
MAX TYING DIAMETER(mm)	21mm	40mm
BATTERY PACK	AUTHORIZED BATTERY PACK	
CHARGER	AUTHORIZED CHARGER	
WIRE REEL	AUTHORIZED WIRE REEL	

Task-Special Wire



Model	230	400A
Length (each knot)	380mm~530mm	530mm~790mm
Length (one spool)	95000mm	
Weight(kg)	0.4	
Volume(mm)	Φ0.8(±0.02)	
Carton Volumn(mm)	449 × 310 × 105 (50pcs)	
Pallet Volumn(mm)	1000 × 1000 × 1000 (42 Cartons)	

Remark: Please use the special wire we offer you. It can improve the hardness and working efficiency of the tool.

Special Charger and Battery



Battery Type	Ni-Cd	Ni-mH
Battery Capacity (mAh)	2500	2800
Charging Time	40'~70'	40'~70'
Voltage (V)	9.6	9.6
Tying Knots (In Full-Charge)	700~800	900~1000
Charging Times	500	500

Special Charger: AC: 110-240V

Remarks: The battery must store at temperature of 20°C-50°C. Please store the battery in the shady and cool place; If storing over 30 days the battery must be recharged; Don't throw it into fire; Please use the special Charger to charge.